



SOUNDSCAPES[®]
CANOPIES

Inspiring Great Spaces[®]

Armstrong[®]
CEILING SOLUTIONS

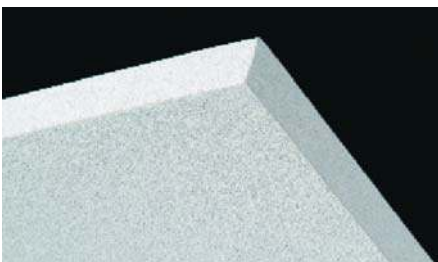


KEY SELECTION ATTRIBUTES

- Enhance acoustics with spot absorption
- Aesthetically define spaces
- Hill or Valley configuration
- Two panel sizes
- Six standard colours; custom colours available
- Colour co-ordinate with SOUNDSCAPES® Shapes
- Adjustable to special heights
- Flush-mounted suspension system for clean look
- Energy-efficient, high light-reflectant surface
- Sustainable design: Contributes to Green Star™ Tools



DETAIL



Smooth painted finish on all sides and edges



Suspension Hanging Kit



SOUND ABSORPTION IN SABIN

The Sabin is the unit of total sound absorption provided by an object. This is the preferred metric for “space absorbers” such as clouds, canopies or baffles installed within an architectural space. Total acoustical absorption for a suspended ceiling is calculated by multiplying the exposed surface area by the material NRC while “space absorbers” are directly measured. SOUNDSCAPES® Canopies provide greater sound absorption than a continuous ceiling of the same surface area because the sound is absorbed from both the front and back surfaces. The installation of canopies in a reverberant space can significantly reduce the background noise and reverberation time, enhancing speech intelligibility.

Factors that may affect the installed acoustical performance relative to the published results are:

- Size and shape of canopy
- Number of canopies and their layout/location
- Suspension distance below exposed deck or finished ceiling

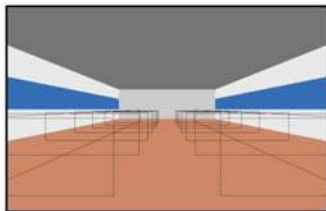


ACOUSTICAL PERFORMANCE COMPARISON: DIFFERENT WAYS OF ADDING SOUND ABSORPTION

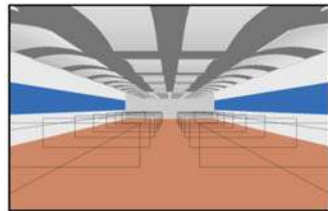
Acoustic Solution	None	SOUNDSCAPES Canopies @ 25% of ceiling	SOUNDSCAPES Canopies @ 50% of ceiling	Continuous ULTIMA Ceiling
	Exposed Structure	50 Canopies (Large)	100 Canopies (Large)	Suspended 1 metre below deck
Reverberation Time (sec)	3.4	1.5	0.9	0.6
RT reduction (%)	ref	57%	73%	83%
SPL reduction (dB)	ref	-3 dB	-4 dB	-5 dB
Sound Absorption in Sabin (metric) for Coverage Area	ref	50 canopies @ 2.44 Sabin/panel = 122 Sabin	100 panels @ 2.44 Sabin/panel = 244 Sabin	450m ² x 0.84α = 378 Sabin

Notes: All values for the averaged sound absorption coefficient, Sabin absorption, and dB level reduction of 125Hz-4kHz, are based on the speech frequency range of 500-4000Hz. Reverberation Time is an average of 500 & 1000Hz only. Sabin values are all metric.

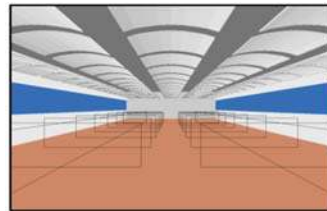
450 square metres Exposed Structure (15 metres x 30 metres), 4.5 metres to deck, drywall with windows two sides, commercial carpet.



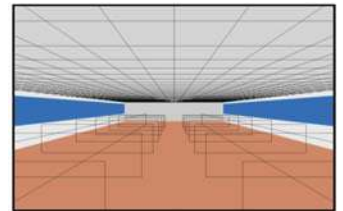
Exposed Structure



SOUNDSCAPES Canopies @ 25% of ceiling



SOUNDSCAPES Canopies @ 50% of ceiling



Continuous ULTIMA™ Ceiling

COMPONENTS

- Pre-curved SoundScapes Canopies
- Suspension Hanging Kit: Cables included

CANOPY PANEL ITEM NUMBER / COLOUR SELECTION

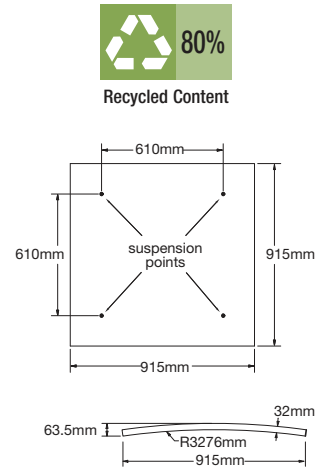
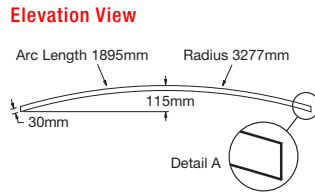
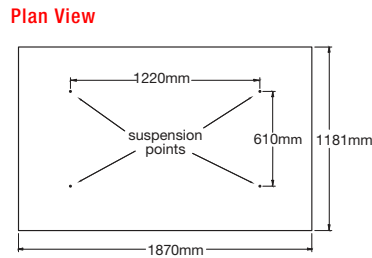
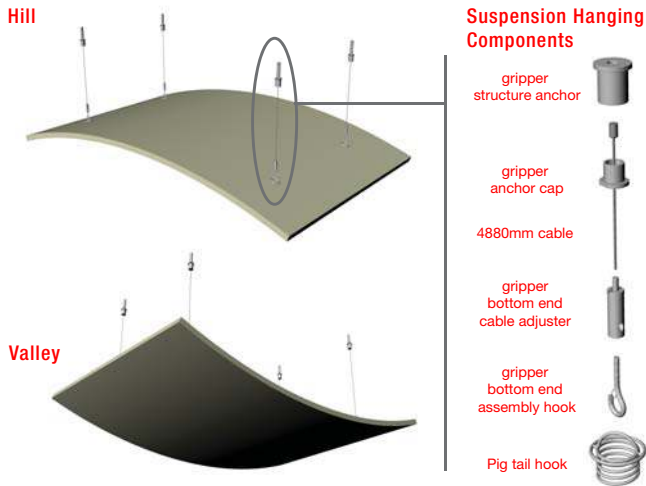
Description	Shape	Dimensions mm*	Traffic White RAL9016	Light Ivory RAL1015	Pale Green RAL6021	Pastel Blue RAL5024	Traffic Grey RAL7042	Pale Brown RAL8025
Hill / Valley		1870 x 1181 x 30	SCA6TWH2*	SCA7LIV2	SCA7PGR2	SCA7PBL2	SCA7TGR2	SCA7PBR2
Valley / Hill		915 x 915 x 30	SCA6TWH4	SCB7LIV2	SCB7PGR2	SCB7PBL2	SCB7TGR2	SCB7PBR2

Exact dimensions for each canopy are shown on page 4.

*Stock Item

Item No.	Description
BY6010	Suspension Hanging Kit (Included in Canopies Box).
7006	Escutcheon Kit – Used when hanging canopy below an existing ceiling; 2 kits needed per canopy panel.

INSTALLATION DETAILS AND PHYSICAL DATA



PHYSICAL DATA

Material:	Glass fibre substrate Recycled content 80%
Surface Finish:	Durable scrim with factory-applied paint.
Colour:	6 std colours, Traffic White (stock). Special RAL Colours available.
Edge Detail:	Painted square edge
Panel Sizes:	1870x1181mm and 915x915mm
Thickness:	30mm
Humidity Resistance:	95% RH
Light Reflectance:	90% (Traffic White only)
Weight:	8kg: 1870x1181 panel 3kg: 915x915 panel
Acoustical Performance:	2.44 Sabins per panel (1870x1181mm) 0.93 Sabins per panel (915x915mm) NRC equivalent of 0.95 (full ceiling application)
Fire Performance:	Conforms to BCA Spec. C1.10 and tested to AS/NZS 3837: 1998 – "Group 1", AS/NZS 1530.3
Suspension System:	Flush-mounted hardware system and aircraft cables provided in panel kits.
Installation:	Refer to Installation Instructions on website for details before installing panels.
Design Considerations:	SOUNDSCAPES® Canopies are for interior applications only and cannot be cut, drilled, or altered in any way, nor support any other material. Canopies are designed to be installed a minimum of 460mm apart. Lipping may be visible in installations closer than 460mm.



CONTACT

Armstrong World Industries Pty Ltd

NSW/ACT

Armstrong World Industries Pty. Ltd.
Unit 4, 1 Basalt Road, Pemulwuy NSW 2145
Telephone (02) 9748 1588 | Facsimile (02) 9748 7244

VIC/TAS

Armstrong World Industries Pty. Ltd.
Unit 1, 88 Henderson Road, Rowville VIC 3178
Telephone (03) 8706 4000 | Facsimile (03) 8706 4040

QLD/NT

Armstrong World Industries Pty. Ltd.
6 Barrinia Street, Slacks Creek QLD 4127
Telephone (07) 3809 5565 | Facsimile (07) 3809 5507

SA

Total Building Systems Pty. Ltd.
160 Grand Junction Road, Blair Athol SA 5084
Telephone (08) 7325 7555 | Facsimile (08) 7325 7566

WA

Ceiling Manufacturers of Australia Pty. Ltd.
5 Irvine Street, Bayswater WA 6053
Telephone (08) 9271 0777 | Facsimile (08) 9272 2801

New Zealand

Forman Building Systems Ltd.
PO Box 12349, Penrose, Auckland
Telephone 64-9-276 4000 | Facsimile 64-9-276 4141

www.armstrongceilings.com.au
scentre@armstrongceilings.com

Inspiring Great Spaces® is a Trademark of AFI Licensing LLC; Green Star™ is a trademark of the Green Building Council of Australia; All other trademarks are property of AWI Licensing LLC or affiliates and registered in the U.S. and/or other countries.

©2018 AWI Licensing LLC.

Printed on Maine Recycled Silk paper
AWP0318

Inspiring Great Spaces®

Armstrong®
CEILING SOLUTIONS