



Lend Lease

**CEILING** SYSTEMS

Between us, ideas become reality™

Armstrong Blue Tongue™  
Aluminium Grid and  
Perimeter/Pelmet Systems

**Armstrong**®

# Suspension Systems Content



Modular Ceiling Systems — Pages 4 – 5

One Way Ceiling Systems — Pages 6 – 7

Two Way Ceiling Systems — Page 8

Perimeters / Wall Angles and Accessories — Page 9

Pelmet Systems — Pages 10 – 11

# Armstrong Blue Tongue™ Aluminium Grid and Perimeter/Pelmet Systems

## Armstrong Blue Tongue™ Aluminium Grid Systems

Extruded aluminium grid systems are the natural complement to Armstrong acoustic ceiling panels in A-Grade commercial applications.

Armstrong delivers more than 30 years of expertise in aluminium ceiling grid solutions to the Australian and New Zealand markets.

Armstrong offers a complete range of Modular, One Way and Two Way Systems, for both Mineral Fibre and Metal ceiling panels.

## Features of the Armstrong “Blue Tongue” Systems

- Full and rapid demountability and re-use of components
- Complete range of interlocking accessories
- Choice of module sizes, including 1200x1200, 1350x1350 and 1500x1500
- Engineered and tested system
- Complete integration with Perimeter/Pelmet Systems

## Technical Features

- Produced from proven 6063 T5 grade extruded aluminium
- Polyester Powdercoat
- Compliant to AS/NZS2785:2000 – Suspended Ceiling Code

## Perimeter/Pelmet Solutions

To complete the ceiling, Armstrong provides a comprehensive range of perimeter solutions, including: wall angles, transitions trims pelmets.

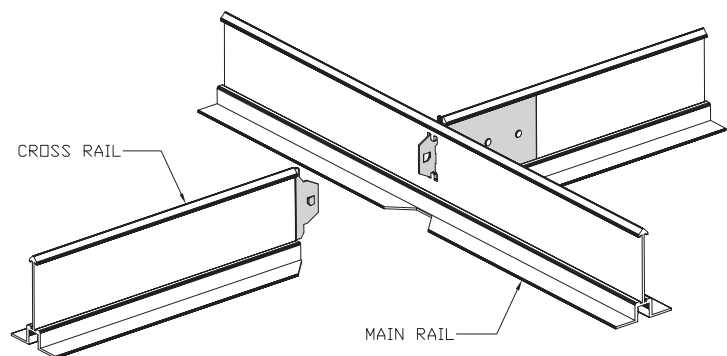
## Custom Ceiling Solutions

In addition to a wide range of standard systems, the Armstrong Technical Services Group has the capacity of developing custom solutions to suit most commercial ceiling requirements.

**For Seismic Design support please contact your local Armstrong office.**



Clean mitred cross runner intersection.

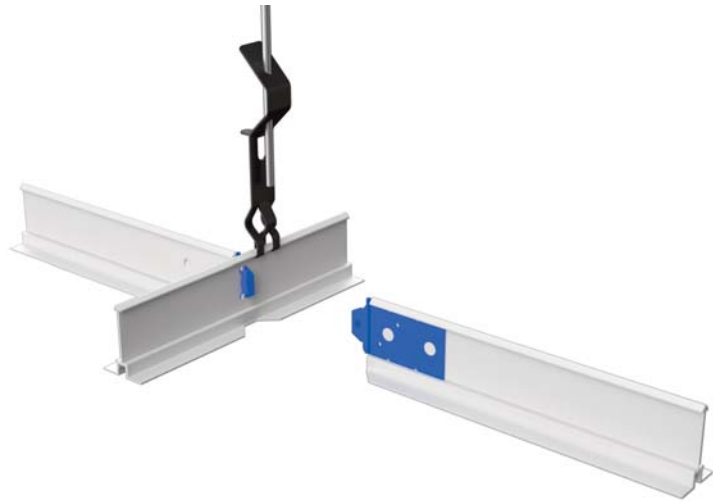
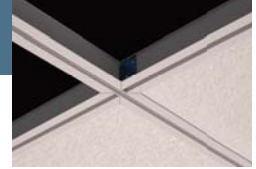


Armstrong “Blue Tongue” positive lock connection.



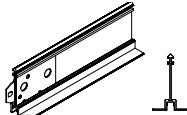
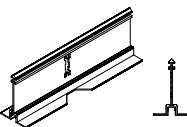
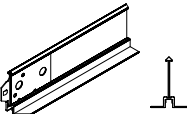
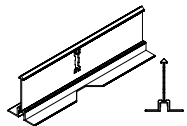
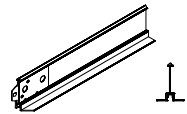
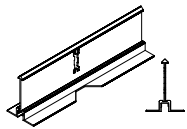
3-sided Pelmet with Air Diffuser Face Plate

# Modular Ceiling Systems



## Modular Ceiling Systems for Mineral Fibre and Metalworks™ Panels

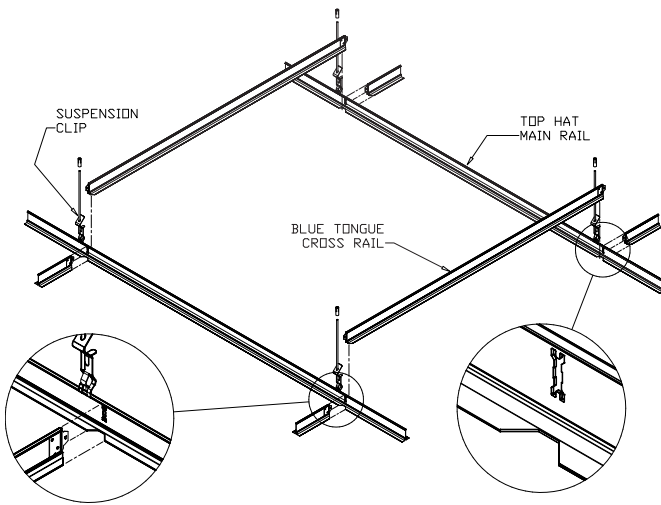
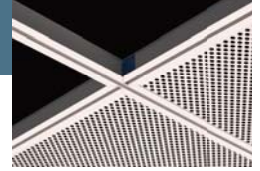
### Component Specifications



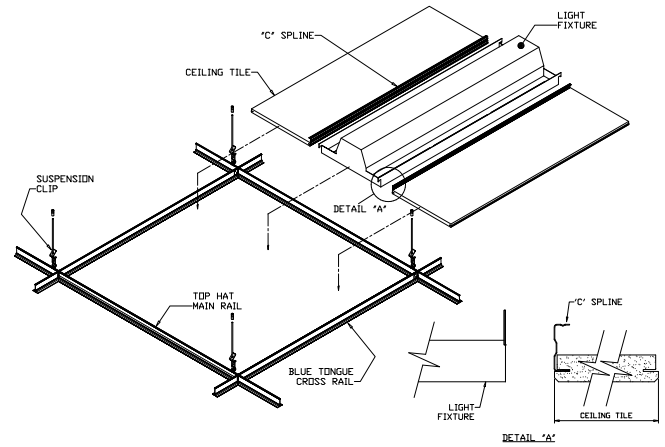
Item	Design	Dimensions (mm)			
		Slot Spacing	Length	Height	Width
<b>Module 1200x1200mm</b>					
ALMRTH3600	Top Hat Main Bar	1200	3600	45	32
ALCRTH1200	Top Hat Cross Runner	–	1200	45	32
BP743054CA	C-Spline (For Mineral Fibre only)	–	1188	35	10
<b>Module 1350x1350mm</b>					
ALMRTH4050	Top Hat Main Bar	1350	4050	45	32
ALCRTH1350	Top Hat Cross Runner	–	1350	45	32
BP743354CA	C-Spline (For Mineral Fibre only)	–	1338	35	10
<b>Module 1500x1500mm</b>					
ALMRTH4500	Top Hat Main Bar	1500	4500	50	32
ALCRTH1500	Top Hat Cross Runner	–	1500	50	32
BP743654CA	C-Spline (For Mineral Fibre only)	–	1487	35	10



# Modular Ceiling Systems

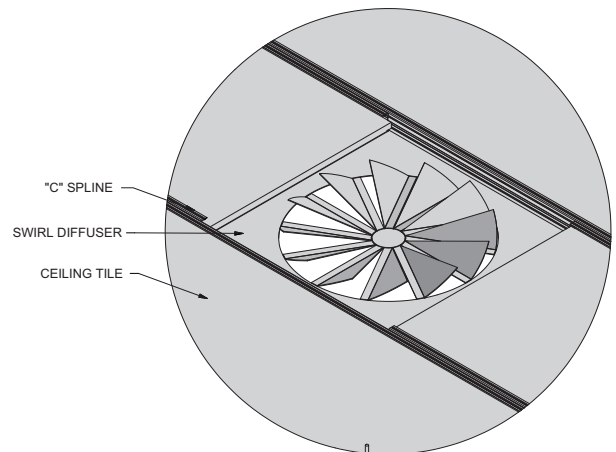
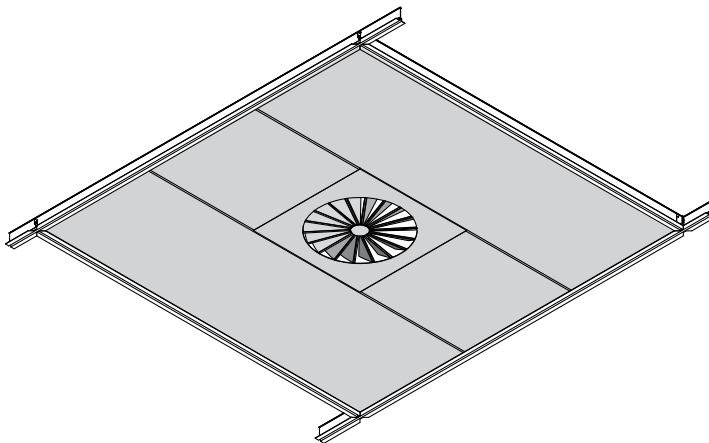


The High tensile “Blue Tongue” staked on clip – provides positive lock connection with ease of installation and demountability.



Completed grid system with panels / lights to be installed.

Note: When light fixtures are rotated 90 degrees, an additional suspension hanger is required at the mid point of each cross runner in the module. C-Splines are used only with mineral fibre panels.



Simple integration of light fixtures and swirl diffusers

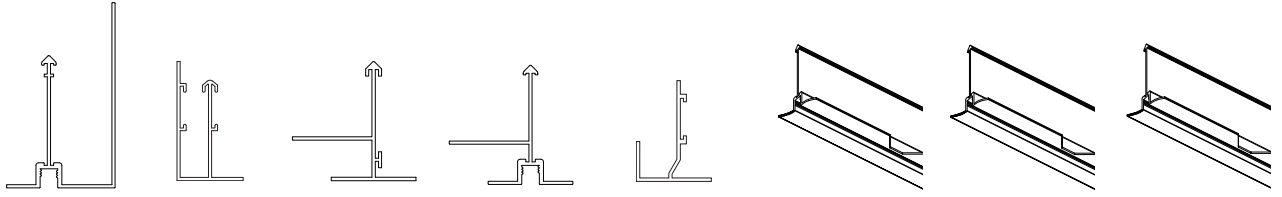
## Key Features

- Simplicity of square module, enabling panels and light fixtures to be rotated by 90°
- Robust extruded aluminium “top hat” profile for both primary and secondary sections
- Clean, flush fitting, mitred grid intersections
- Full and rapid demountability and re-use of components
- Complete range of interlocking accessories
- Choice of module size, including 1200x1200, 1350x1350 and 1500x1500
- Custom sizes available
- Simple panel removal and plenum access
- Mechanical services integration, including support tray options. Contact your Armstrong office for further details.

Additional information and detailed drawings on the Armstrong Blue Tongue Modular System can be found at [www.armstrongceilings.com.au](http://www.armstrongceilings.com.au)

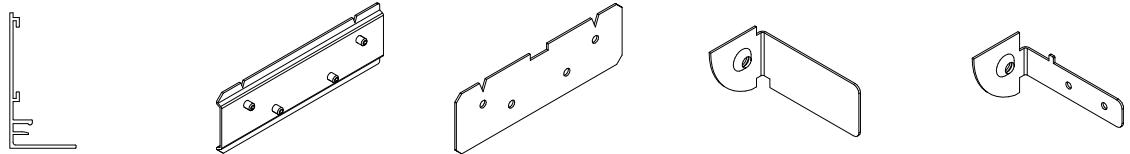
# Perimeters / Wall Angles and Accessories

## Perimeter / Transition Trims



Item:	ALPT4500LL	ALPTQLFF45	ALPTFF	ALPT3600PB	ALBULK3600SW	ALMRTH3600OS	ALMRTH4050OS	ALMRTH4500OS
Description	Top Hat with 70mm Upturn	Flat Face	Flat Face with Horizontal Leg for 13 PB	Top Hat with Horizontal Leg for 13 PB	Bulk Head Trim	Top Hat Punched one side @ 1200cc.	Top Hat Punched one side @ 1350cc.	Top Hat Punched one side @ 1500cc.
Height (mm)	70	45	45	45	38	45	45	50
Length (mm)	4500	3600	3600	3600	3600	3600	4050	4500
Width (mm)	41	24	32	32	28	32	32	32

## Perimeter Trims / Accessories for One Way MetalWorks Hook On System



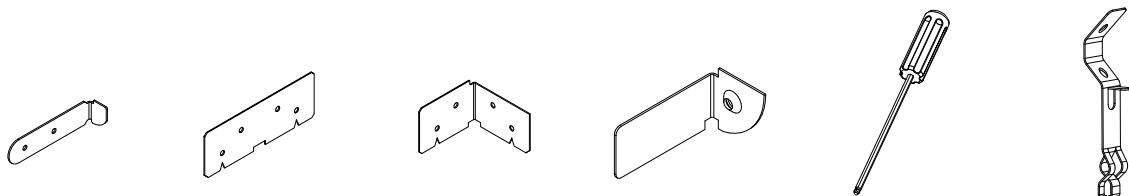
Item:	ALPTONEWAYS	ARM-036	ARM-035	ARM-034	ARM-033
Description / Application	Perimeter Trim	Perimeter Trim Joiner Grub screw fastening	Main Runner Joiner To suit ALOWTHMR	Roll In Clip Connects Main Runner to Perimeter Trim	Roll In Clip Connects Locking Spline to Perimeter Trim
Dimensions	51(h) x 25 (w) x 3600mm				

## Perimeter Trims: Wall Angles



Item:	AL009RCPSW	AL008RCPSW
Description	Shadow line Suits roll in clip ALRIC	Std "L" Suits roll in clip ALRIC
Height (mm)	29	20
Width (mm)	29	20
Length (mm)	3600mm	3600mm

## Accessories for Modular, One\* and Two Way Systems



Item No.	ALRIC	ALMRJL*	ALMRJL90	ALRICL	GSD	ALSCLH
Description	Roll In Clip Small	Main Bar Joiner	90 Degree Bracket	Roll in Clip Large	Grub screw-driver	Suspension Clips
Application of Accessory Item	Connects all sections with all wall angles and Perimeter Trims / Pelmet	Connects all Main Bars: 45 and 50mm sections *M/R Joiner for Two Way System is BP9338	Used with all Main Bars 45 and 50mm sections	For connecting Main or Cross Runners to Perimeter Trims	For use with Grub screw Roll in Clip	For use on all Main Bars and Perimeter Trims

\* See table above for One Way Hook On for MetalWorks.

# Pelmet Systems



3-Sided Pelmet with slotted Air Diffuser Face Plate – Modular Grid and Ultima panel – Woolworths HQ, Sydney

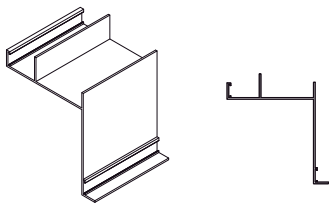
## Transition in style

Regain aesthetic control of the perimeter with an Armstrong Pelmet System. The transition from pelmet to either plasterboard margin or acoustic ceiling is now simple. Armstrong Pelmet Systems are a pre-engineered solution, integrating curtain pelmets, air distribution and ceiling elevation changes. Field fabrication and on-site decisions become a thing of the past. Armstrong Pelmet Systems directly integrate with the ceiling grid via a positive locking connection clip. Concealed splice plates enable mechanical lock connections between adjacent pelmet sections.

## Three easy Profiles

There are three basic aluminum extrusion profiles that provide a precise, crisp architectural detail.

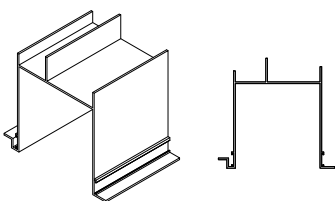
1



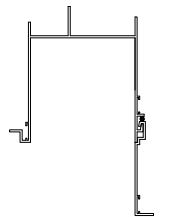
2-Sided Pelmet with transition to Acoustical/Drywall Grid

Single piece aluminium extrusion that forms a simple 2 sided pelmet. Transition to either acoustical grid or set plaster margin.

2

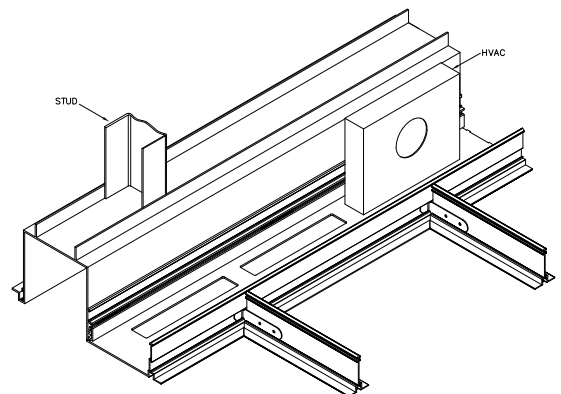


3-Sided Pelmet with transition to Acoustical/Drywall Grid



Pelmet with Extension

3



3-Sided Perimeter Pelmet with Diffuser Face Plate and transition to "Blue Tongue" Grid

Pre-engineered aluminium 3 sided pelmets can be produced from one or two piece sections enabling flexibility in size of pelmet. Extension components allow for additional design flexibility and ceiling elevation changes. Transition to either acoustical grid or set plaster margin.

Pelmets can be designed for full integration with air distribution at the perimeter. Diffuser face plate is pre-slotted according to air supply specifications. Transition to either acoustical grid or set plaster margin.

# Pelmet Systems



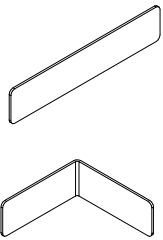
3-Sided Pelmet with Air Diffuser Face Plate



Two Piece Pelmet with Margin

## Accessories for Pelmet Sections

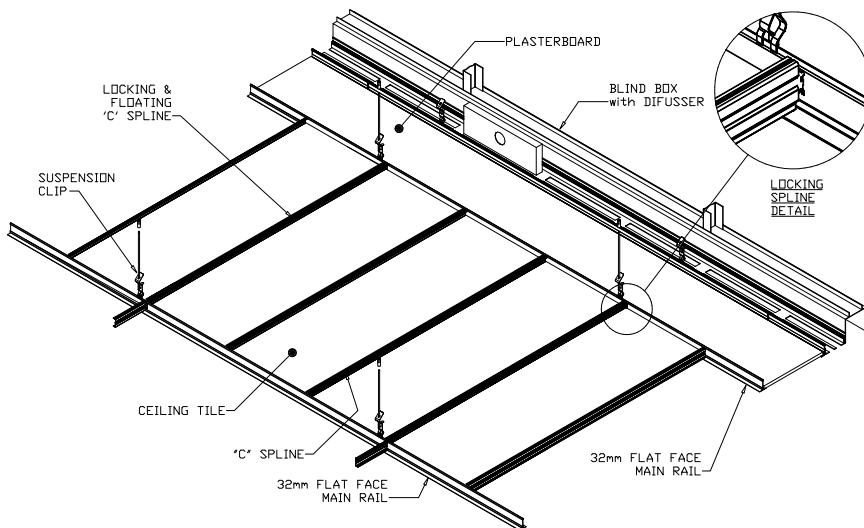
### Component Specifications



Item	Design
ALMRJS	Joiner for Pelmet
ALMRJS90	90 Degree Joiner for Pelmet



Single Piece Pelmet



One Way System with Composite Pelmet



# CEILING SYSTEMS

Between us, ideas become reality™

## Armstrong, the Global Leader in Acoustic Ceilings

### NSW

Armstrong World Industries Pty. Ltd.  
99 Derby Street, Silverwater NSW 2128  
Telephone (02) 9748 1588 | Facsimile (02) 9748 8449

### VIC/TAS

Armstrong World Industries Pty. Ltd.  
29-39 Mills Road, Braeside VIC 3195  
Telephone (03) 9580 9633 | Facsimile (03) 9587 5139

### QLD/NT

Armstrong World Industries Pty. Ltd.  
6 Barrinia Street, Slacks Creek QLD 4127  
Telephone (07) 3809 5565 | Facsimile (07) 3809 5507

### SA

Total Building Systems Pty. Ltd.  
160 Grand Junction Road, Blair Athol SA 5084  
Telephone (08) 7325 7555 | Facsimile (08) 7325 7566

### WA

Ceiling Manufacturers of Australia Pty. Ltd.  
5 Irvine Street, Bayswater WA 6053  
Telephone (08) 9271 0777 | Facsimile (08) 9272 2801

### New Zealand

Forman Building Systems Ltd.  
PO Box 12349, Penrose, Auckland  
Telephone 64-9-276 4000 | Facsimile 64-9-276 414

[www.armstrongceilings.com.au](http://www.armstrongceilings.com.au)

For Seismic  
Design support  
please contact  
your local  
Armstrong  
office.



SCAN\* THIS CODE to  
learn more about our  
Suspension Systems

\*Download a Free QR  
code reader app available  
from Apple store